

**Eterna** D130 / D151

This luminaire is compatible with bulbs of the energy classes:

This luminaire is sold with a bulb of the energy class: **A**

874/2012

LAMP SPECIFICATIONS:	D151	D130
Nominal Wattage	16W	28W
Rated Wattage	16W	28W
Average lifetime hours	8,000 hrs	8,000 hrs
Nominal useful luminous flux	<b>1350 lm</b>	<b>2256 lm</b>
Rated luminous flux	1350 lm	2256 lm
Luminous efficacy (Lm/W) in 50Hz operation	84	80
Rated lamp Lumen maintenance	2000hrs: 85%	2000hrs: 85%
	4000 hrs: 78%	4000 hrs: 78%
	8000 hrs: 75%	8000 hrs: 75%
Rated survival factors	2000hrs: 98%	2000hrs: 98%
	4000 hrs: 90%	4000 hrs: 90%
	8000 hrs: 50%	8000 hrs: 50%
Lamp dimensions (H/W/D mm)	135x135	200x200
Cap type	GR10q 4 Pin	GR10q 4 Pin
Lamp Mercury content to an accuracy of 0.1mg	<2.5mg	≤2.5mg
Colour rendering index Ra	81.6	84.2
Colour temperature	3500K	3500K
Ambient temperature required to achieve maximum luminous flux	25°C	25°C
Dimmable	No	No
Ballast EEL	A2	A2



Email: [sales@eterna-lighting.co.uk](mailto:sales@eterna-lighting.co.uk) / [technical@eterna-lighting.co.uk](mailto:technical@eterna-lighting.co.uk)

Visit our website: [www.eterna-lighting.co.uk](http://www.eterna-lighting.co.uk)

Issue 1216

Made in China

**Eterna**  
Everyday Lighting For Professionals

## INSTALLATION INSTRUCTIONS

A guide for qualified electricians



**Pack contents:**  
1 x Ceiling fitting  
1 x GR10q 4 pin DD fluorescent lamp  
1 x Fixing kit

**Model:**

**D130 / D151**

**2D Circular Fluorescent Ceiling Fitting**

These instructions are provided as a guideline to assist you.

**PLEASE READ THESE INSTRUCTIONS BEFORE USING YOUR NEW FITTING  
PLEASE RETAIN FOR FUTURE REFERENCE**

## READ THIS FIRST:

Check the pack and make sure you have all of the parts listed on the front of this booklet. If not, contact the outlet where you bought this product.

This product contains glass, care must be taken when assembling, fitting or handling to prevent personal injury or damage to the product.

This product must be installed by a competent person in accordance with the current building and IEE wiring regulations.

As the buyer, installer and/or user of this product it is your own responsibility to ensure that this fitting is fit for the purpose for which you have intended it. Eterna Lighting cannot accept any liability for loss, damage or premature failure resulting from inappropriate use.

This product is designed and constructed according to the principles of the appropriate British Standard and is intended for normal domestic service. Using this fitting in any other environments may result in a shortened working life, for example where there is prolonged periods of use or higher than normal ambient temperatures such as lighting public or shared spaces or in nursing /care home facilities/ student accommodation.

Switch off the mains before commencing installation and remove the appropriate circuit fuse or lock off MCB.

The lamps (bulbs/tubes) supplied with this fitting are consumable parts and therefore may be outside of any warranty offered. This unit is suitable for indoor use only.

This product is suitable for use in living areas, and Bathroom dry (Outside) Zones only (see diagram below and current IEE Wiring Regulations for details). It is not suitable for Bathroom Zones 0, 1, 2, or other areas where contact with moisture is likely. If being fitted in a bathroom a 30mA RCD must be used.

This product is suitable for installation on surfaces with normal flammability e.g. wood, plasterboard and masonry. It is not suitable for use on highly flammable surfaces (e.g. polystyrene, textiles).

Before making fixing hole(s), check that there are no obstructions hidden beneath the mounting surface such as pipes or cables.

The chosen location of your new fitting should allow for the product to be securely mounted (e.g. to a ceiling joist) and safely connected to the mains supply (lighting circuit).

When making connections ensure that the terminals are tightened securely and that no strands of wire protrude. Check that the terminals are tightened onto the bared conductors and not onto any insulation.

### This product must be connected to earth termination.

This product is not intended to be used by children and persons with sensory, physical and/or mental impairments that would prevent them from using it safely.

You are advised at every stage of your installation to double-check any electrical connections you have made. After you have completed your installation there are electrical tests that should be carried out, these tests are specified in the current IEE wiring and building regulations.

**NOTE:** Very frequent switching can shorten the life of the lamp. If lighting controls are used with this product (e.g PIR or microwave sensor) then to minimise this, it is recommended to adjust the time to the maximum setting.

## INSTALLATION:

- 1) Pull out the three clips to release the diffuser.
- 2) Thread your supply wiring through the large hole in the back of the fitting.
- 3) Secure the fitting in place using the fixings supplied or, if these fixings are not appropriate to your installation, select suitable alternatives.
- 4) Make the electrical connections according to the following: Brown wire to live terminal (L) Blue wire to Neutral terminal (N) Green & yellow wire to earth terminal (E).
- 5) Fit the Energy saving DD fluorescent lamp - 4 pin (supplied) by pressing gently onto the socket in the centre of the fitting. If the tube does not fit easily, try rotating it through 180° and try again.
- 6) Replace the diffuser and push the clips back into position.
- 7) Restore the power supply and switch on.

## CLEANING:

Clean this product only with a soft dry cloth.

Disconnect the power the shade(s) may be removed and washed in a mild detergent solution. Make sure the shades are completely dry before putting them back on your light fitting.

Do not use any chemical or abrasive cleaners.

## TUBE REPLACEMENT:

- Switch off the electricity at the mains.
- Release the diffuser by gently pulling out the three clips at the top of the fitting.
- Holding the tube in the middle, pull it off of the socket in the middle of the fitting.
- Press the new tube gently onto the socket making sure that it is of the same type and wattage as stated on the re-lamping label, if the lamp does not fit easily, try rotating it through 180° and try again.
- Replace the diffuser and close the three clips.
- Restore the power and switch on.

## REPLACEMENT TUBE TYPE:

**D151** requires 1 x 16W GR10q 4 pin DD CFL 3500K (included). Fitting is rated at 16W max. Replacement lamp available from Eterna: **DD16435**.

**D130** requires 1 x 28W GR10q 4 pin DD CFL 3500K (included). Fitting is rated at 28W max. Replacement lamp available from Eterna: **DD28435**.

## EVENTUALLY, YOU MAY WANT TO REPLACE THIS PRODUCT:

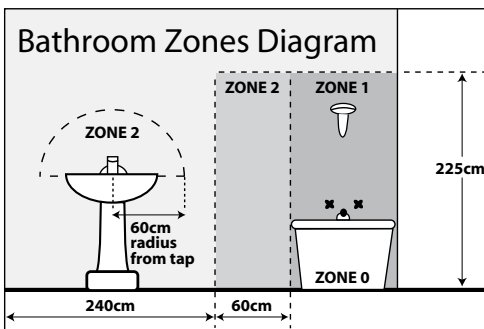
Regulations require the recycling of Waste from Electrical and Electronic Equipment (European "WEEE Directive" effective August 2005—UK WEEE Regulations effective 2nd January 2007). Environment Agency Registered Producer: WEE/GA0248QZ.

WHEN YOUR PRODUCT COMES TO THE END OF ITS LIFE OR YOU CHOOSE TO REPLACE IT, PLEASE RECYCLE IT WHERE FACILITIES EXIST - DO NOT DISPOSE WITH HOUSEHOLD WASTE.

## IF YOU EXPERIENCE PROBLEMS:

If you believe your product is defective, please return it to the place where you bought it. Our Technical Team will gladly advise on any Eterna Lighting product, but may not be able to give specific instructions regarding individual installations.

For breakage information visit:  
[www.etera-lighting.co.uk](http://www.etera-lighting.co.uk)



This product is designed for permanent connection to fixed wiring: this must be a suitable circuit (protected with the appropriate MCB or fuse).