
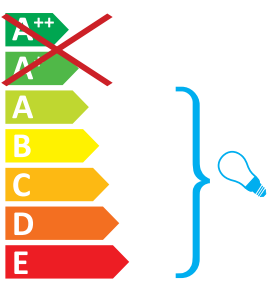


LAMP SPECIFICATIONS:	
Nominal Wattage	28W
Rated Wattage	28W
Average lifetime hours	8,000 hrs
Nominal useful luminous flux	2050 lm
Rated luminous flux	2050 lm
Luminous efficacy (Lm/W) in 50Hz operation	73
Rated lamp Lumen maintenance	2000hrs: ≥85% 4000 hrs: ≥78% 6000 hrs: ≥76% 8000 hrs: ≥75%
Rated survival factors	2000hrs: ≥98% 4000 hrs: ≥90% 6000 hrs: ≥88% 8000 hrs: ≥50%
Lamp dimensions mm	205 x 207mm
Cap type	GR10q 4 Pin
Lamp Mercury content to an accuracy of 0.1mg	<2.5mg
Colour rendering index Ra	≥80
Colour temperature	3500K
Ambient temperature required to achieve maximum luminous flux	25°C
Dimmable	No
Ballast EEL	A2


Eterna CF28PIR




This luminaire is compatible with bulbs of the energy classes:

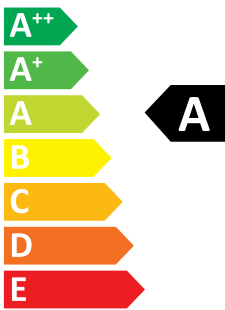


This luminaire is sold with a bulb of the energy class: **A**

874/2012 



Eterna CF28PIR



30.80 kWh/1000h



INSTALLATION INSTRUCTIONS

A guide for qualified electricians



Pack contents:
1 x Flush fitting with Integral PIR
1 x GR10q 4 pin DD 28W lamp

**Model:
CF28PIR**

Flush Ceiling Fitting with Integral PIR Detector

These instructions are provided as a guideline to assist you.

**PLEASE READ THESE INSTRUCTIONS BEFORE INSTALLATION
AND RETAIN FOR FUTURE REFERENCE**

**EVENTUALLY, YOU MAY WANT TO
REPLACE THIS PRODUCT:**

Regulations require the recycling of Waste from Electrical and Electronic Equipment (European "WEEE Directive" effective August 2005—UK WEEE Regulations effective 2nd January 2007). Environment Agency Registered Producer: WEE/ GA0248QZ.

WHEN YOUR PRODUCT COMES TO THE END OF ITS LIFE OR YOU CHOOSE TO REPLACE IT, PLEASE RECYCLE IT WHERE FACILITIES EXIST - DO NOT DISPOSE WITH HOUSEHOLD WASTE.

CLEANING:

Disconnect the power and clean the exterior only of this fitting with a moist (not wet) cloth.

Do not use any chemical or abrasive cleaners.

IF YOU EXPERIENCE PROBLEMS:

If you believe your product is defective, please return it to the place where you bought it. Our Technical Team will gladly advise on any Eterna Lighting product, but may not be able to give specific instructions regarding individual installations.

For breakage information visit:
www.eterna-lighting.co.uk



Issue 2014



FOR PRODUCT ADVICE:

- T: 01933 673 144
- F: 01933 678 083
- E: sales@eterna-lighting.co.uk

Visit our website:

www.eterna-lighting.co.uk

READ THIS FIRST:

Check the pack and make sure you have all of the parts listed on the front of this booklet. If not, contact the outlet where you bought this product.

This product contains glass, care must be taken when assembling, fitting or handling to prevent personal injury or damage to the product.

This light fitting must be installed by a competent person in accordance with the Building Regulations making reference to the current edition of the IEE Wiring Regulations (BS7671). The Building Regulations may be obtained from OPSI or viewed and downloaded from www.communities.gov.uk following the link for Building Regulations.

As the buyer, installer and/or user of this product it is your own responsibility to ensure that this fitting is fit for the purpose for which you have intended it. Eterna Lighting cannot accept any liability for loss, damage or premature failure resulting from inappropriate use.

This product is designed and constructed according to the principles of the appropriate British Standard and is intended for normal domestic service. Using this fitting in any other environments may result in a shortened working life, for example where there are prolonged periods of use or higher than normal ambient temperatures such as lighting public or shared spaces or in nursing / care home facilities.

The lamp supplied with this fitting is a consumable part and therefore may be outside of any warranty offered.

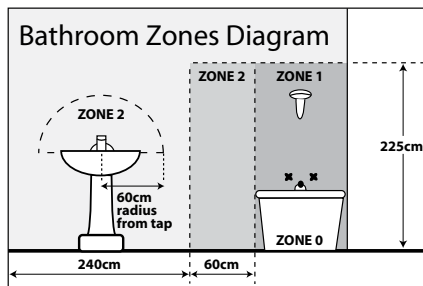
Switch off the mains before commencing installation and remove the appropriate circuit fuse.

When working at heights, please use a suitable platform.

Disconnect the fitting from the electrical supply before flash or high voltage testing.

Suitable for indoor use only.

This product is suitable for use in living areas, and Bathroom zone 2 and dry (Outside) zones only (see diagram below and current IEE Wiring Regulations for details). If being fitted in a bathroom a 30mA RCD must be used.



This product is suitable for installation on surfaces with normal flammability e.g. wood, plasterboard, masonry. It is not suitable for use on highly flammable surfaces (e.g. polystyrene, textiles).

Before making fixing hole(s), check that there are no obstructions hidden beneath the mounting surface such as pipes or cables.

The chosen location of your new fitting should allow for the product to be securely mounted (e.g. to a ceiling joist) and safely connected to the mains supply (lighting circuit).

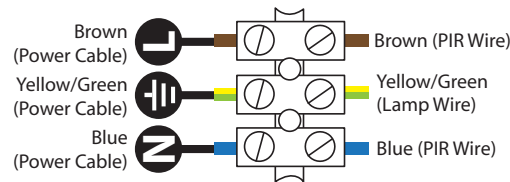
If the location of your new fitting requires the provision of a new electrical supply, the supply must conform with the requirements of the Building Regulations making reference to the current edition of the IEE Wiring Regulations (BS7671).

This product is designed for permanent connection to fixed wiring: this should be either a suitable lighting circuit (protected with a 5 or 6 Amp MCB or fuse) or a fused spur (with a 3 Amp fuse) via a fused connection unit. We recommend that the supply incorporates a switch for ease of operation.

Make connections to the electrical supply in accordance with the following code:

Live - Brown or Red
Neutral - Blue or Black
Earth - Green and Yellow

Where this product is used to replace an existing light fitting, it will be necessary to remove any existing ceiling rose to allow clearance for installation. If this is the case, carefully note the existing position of each set of wires (see diagram below). Where more than a single set of L, N and E wires exist these must be transferred to a separate approved junction box or terminal block (not supplied) which must be insulated and placed within the ceiling.



Additional red wires may be present in your ceiling that are connected to the ring live circuit. Do not connect your fitting to these wires. If these wires are not terminated in a ceiling rose, join them together in a separate terminal block (not supplied) and place in the ceiling.

When making connections, ensure that the terminals are tightened securely and that no strands of wire protrude. Check that the terminals are tightened onto the bared conductors and not onto any insulation. Wrap loose terminal blocks well with insulating tape.

This product must be connected to Earth.

NOTE: Very frequent switching can shorten the life of the lamp. To minimise this, it is suggested to increase the time to the maximum setting.

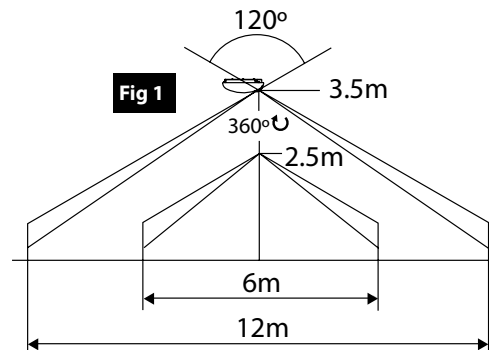
The bulkhead light (PIR version) incorporates a passive infra red sensing device which continuously scans a preset operating zone and immediately switches the lamp on when it detects movement in that area. While there is movement within range of the unit the lamp will remain on.

You are advised at every stage of your installation to double-check any electrical connections you have made. After you have completed your installation there are electrical tests that should be carried out: these tests are specified in the Wiring Regulations (BS7671) referred to in the Building Regulations.

WHERE TO FIT YOUR CEILING LIGHT:

To achieve best results, we suggest you take into account the following points:

- For maximum detection range, the bulkhead light should be mounted 1.8 to 2.5 meters (6 to 8ft) above the area to be scanned. (see FIG. 1 below).
- To avoid nuisance triggering, the sensor should be directed away from heat sources such as heaters/radiators, air-conditioning outlets, other lighting, pet entry/exit or sleeping areas etc.
- To avoid nuisance triggering, do not connect to the same circuit as large fluorescent light fittings, bathroom fans or other sources of mains borne noise (peaks and spikes).
- The PIR Sensor scanning specifications (approximately 8 meters at approx. 120° - horizontal) may vary slightly depending on the mounting height and location. The detection range of the unit may also alter with temperature change. Before selecting a place to install your new fitting you should note that movement across the scan area is more effective than movement directly toward or away from the sensor. If movement is made walking directly towards or away from the sensor and not across, the apparent detection range will be substantially reduced. (see FIG. 2 below).



LAMP REPLACEMENT:

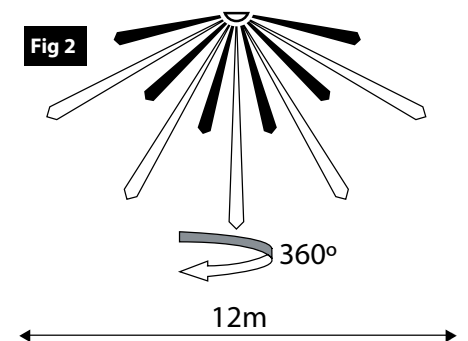
1. Switch off the electricity at the mains.
2. Turn the three clips outwards to remove the diffuser.
3. Pull the lamp straight out of the gear tray inside.
4. Press the new lamp into position, take care to position the lamp correctly over the lampholder.
5. Replace the diffuser, take care to position the inside rim of the diffuser over the circumference of the rear half of the fitting and the soft seal around the hole in the diffuser over the PIR detector lens.
6. Press the diffuser in position and turn the three clips to retain.
7. Restore the power and switch on.

REPLACEMENT LAMP TYPE:

Requires 1 x 28W GR10q 4pin DD CFL lamp (included).

Eterna replacement lamp product code: **DD28435**.

Fitting is rated at 28W max.



INSTALLATION:

01. Choose the location for your new fitting according to each of the conditions above.
02. Turn out the three clips at the side of the diffuser and lift off. (see FIG. 3 opposite).
03. Remove the tube from the fitting by pulling straight up.
04. Undo the gear tray retaining screw next to the PIR detector module on the gear tray.
05. Undo the screws at each end of the hinge and lift off the gear tray – take care not to lose the screws and washers.
06. Choose whether you need to use 2 or 4 screw holes and clear through using a 4-5mm diameter drill.
07. Using the back of the fitting as a template, mark the position of the fixing screws on your mounting surface.
08. Prepare your fixing holes as appropriate.
09. Pierce the cable entry gland making a hole just large enough for the cable to pass through and so that the gland makes a tight seal around it.
10. Thread your supply cable through the gland.
11. Secure the back of your new fitting using suitable fixings (not supplied).
12. Fix the gear tray by the hinge only, back into the fitting using the screws and washers removed earlier.
13. Allow the gear tray to hang open.
14. Make the electrical connections according to the colour code above.
15. Close the gear tray and secure with the screw removed earlier.
16. Re-fit the lamp pressing firmly onto the lampholder. Take care to position the lamp correctly.
17. Replace the diffuser, take care to position the inside rim of the diffuser over the circumference of the rear half of the fitting and the soft seal around the hole in the diffuser over the PIR detector lens.
18. Restore the power and switch on.

Fig 3

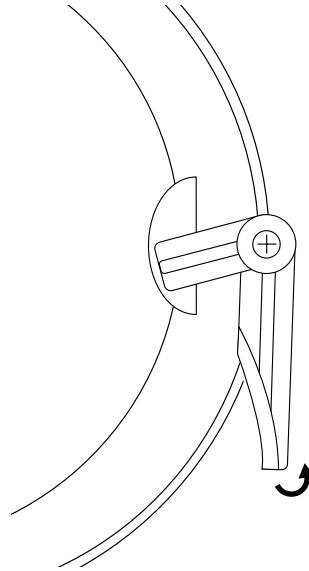
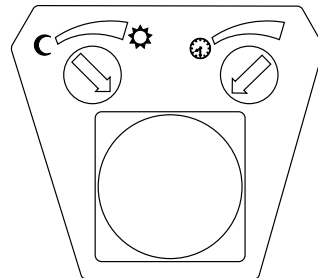


Fig 4



UNDERSTANDING THE CONTROLS:

Adjusting the duration time:

The length of time that the light remains on after activation can be adjusted from 8(±2) seconds to 7(±2) minutes. Turning the TIME control anti-clockwise will reduce the duration time.

Note: Once the light has been triggered by the PIR sensor any subsequent detection will start the timed period again from the beginning.

Adjusting the LUX level:

Refer to FIG. 4 opposite.

The Lux control module has a built-in sensing device (photocell) that detects daylight and darkness. With the control set to the (☼) position, the light will operate in both daylight and darkness. With the control set to the (☾) position, the light will only operate in darkness.

Setting the controls:

1. Turn the Lux control to the (☼) position, turn the mains power on and wait half a minute for the control circuit to stabilize.
2. Turn the TIME control to the minimum duration time (fully anti-clockwise) position. The bulkhead light will now switch on and remain on for about 8 seconds.
3. Walk across the detection area to check that the desired detection area is covered.

4. Adjust time control to the required setting.

5. To set the Lux level at which the lamp will automatically switch “on” at night, please turn the LUX control from daylight to night. If the lamp is required to switch on earlier, e.g. at dusk, wait for the desired ambient light level, then slowly turn the LUX control knob towards the daylight setting (☼) while someone walks across the center of the area to be detected. When the lamp switches on, release the Lux control.

Important:

To avoid dust build-up and ensure proper functioning of the PIR detector, periodically wipe the sensor lens lightly with a damp cloth.

Specification:

Voltage:	220-240 V 50 Hz
Load:	Max. 28W CFL
Detection range:	Approx. 120° (horizontal), Max. 8 metres
Duration time:	From 8(±2) seconds to 7(±2) minutes adjustable
LUX control level:	From daylight (2000 Lux) to darkness (<3 Lux) adjustable
Splash-proof:	IP44
Protection:	Class I / Earthed

PROBLEM	POSSIBLE CAUSE	TROUBLE SHOOT
Lamp does not switch on when there is movement in the detection area	1. No mains voltage	Check all connections, fuses & switches
	2. Nearby lighting is too bright	Relocate the fitting
	3. Controls set incorrectly	Check adjustment of controls
Lamp switches on for no apparent reason (false triggering)	1. Heat sources such as air con vents, heater vents, other lighting or pets are activating the sensor	Relocate the fitting away from heat sources
	2. Interference from on/off switching of electric fans, lights or appliances on the same circuit. (This does not always occur but a faulty switch or noisy fluorescent light may cause the light to switch on)	Replace the faulty switch, replace noisy fluorescent tubes/starters or connect to a separate supply circuit
	3. Reflection from a reflective surface	Relocate the fitting
Light remains on	1. Continuously false triggered	See above
	2. Time is set too long	Adjust the TIME control
Light switches on during daylight hours	1. Lux control is set to daylight position	Adjust the LUX control
When setting controls in daylight the detection distance becomes shorter	1. Interference by reflected sunlight	Re-test at night or in lower light